



IV3-CP50

Control panel



*Please note that accessories depicted in the image are for illustrative purposes only and may not be included with the product.

Specifications

Model	IV3-CP50	
Display panel	5.7" TFT color LCD 640 × 480 dot (VGA)	
Backlight	Method	White LED
	Duration	Approx. 50000 hours (25 °C 77°F)
Touch panel	Method	Analog resistive
	Actuating force	0.8 N or lower
Languages	English / Japanese / German / Chinese (Simplified) / Chinese (Traditional) / Korean / Italian / French / Spanish / Portuguese / Czech / Hungarian / Polish / Thai *1	
Indicators	PWR, SENSOR	
Ethernet	Standard	100BASE-TX*2
	Connector	M12 4 pin connector*2
Expanded memory	USB flash memory*3	
Ratings	Power voltage	24 VDC ±10% (including ripple)
	Current consumption	0.3 A or less
Environmental resistance	Enclosure rating	IP40
	Ambient temperature	0 to +50°C 32 to 122°F (No freezing)
	Relative humidity	35 to 85%RH (No condensation)*4
	Drop resistance	1.3 m 4.3' over the concrete (2 times each in the arbitrary direction)
	Vibration resistance	10 to 55 Hz, 0.7 mm 0.03" double amplitude, 2 hours each for X, Y, and Z axes
Material	Main unit case: PC Power connector: brass + Ni coat Ethernet connector: Zinc + Ni coat, PA USB connector cover: EPDM Pen holder: PC Hook for adapter: POM LED lamp cover: PC Mounting adapter: PC Stylus: POM	
Weight	Control panel: Approx. 450 g 15.89 oz A mounted with the wall mounting adapter and the stylus: Approx. 485 g 17.12 oz	

*1 When connected to the IV3 Series. When connected to the IV/IV2 Series, the supported languages are the same as the IV2-CP50.

*2 Especially for connecting to the IV3 Series, IV2 Series, and IV Series.

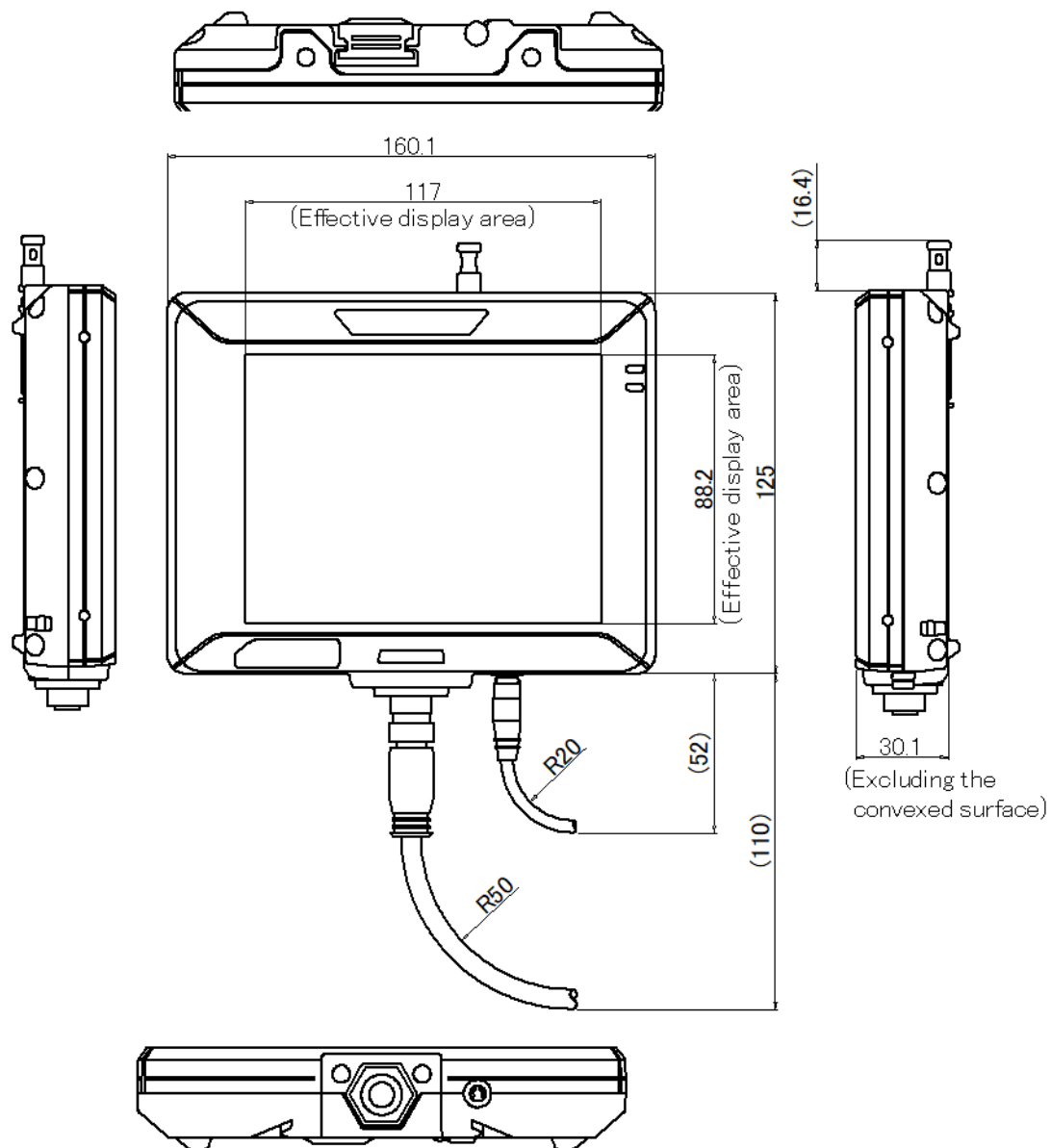
*3 Use a product recommended by KEYENCE.

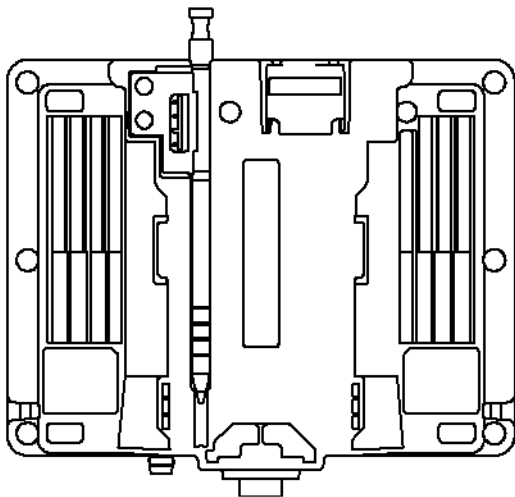
*4 If 18 the ambient temperature exceeds 40°C 104°F, use the sensor head in the absolute humidity of 40°C 104°F 85% RH or lower.

Dimensions

* Download CAD file or product manual for larger image/text and more detail.

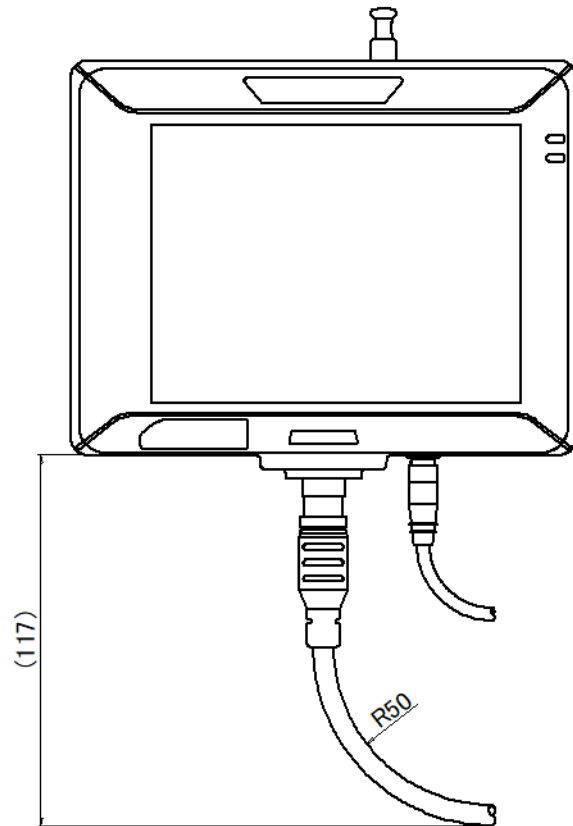
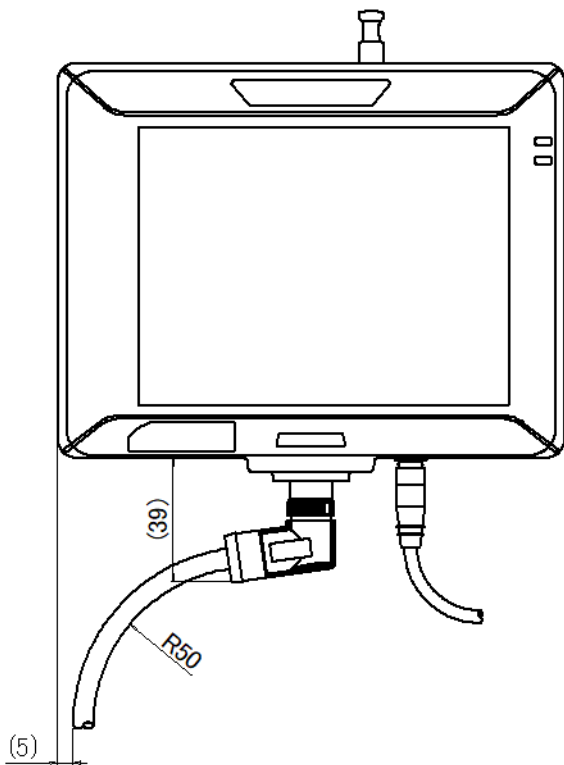
IV3-CP50



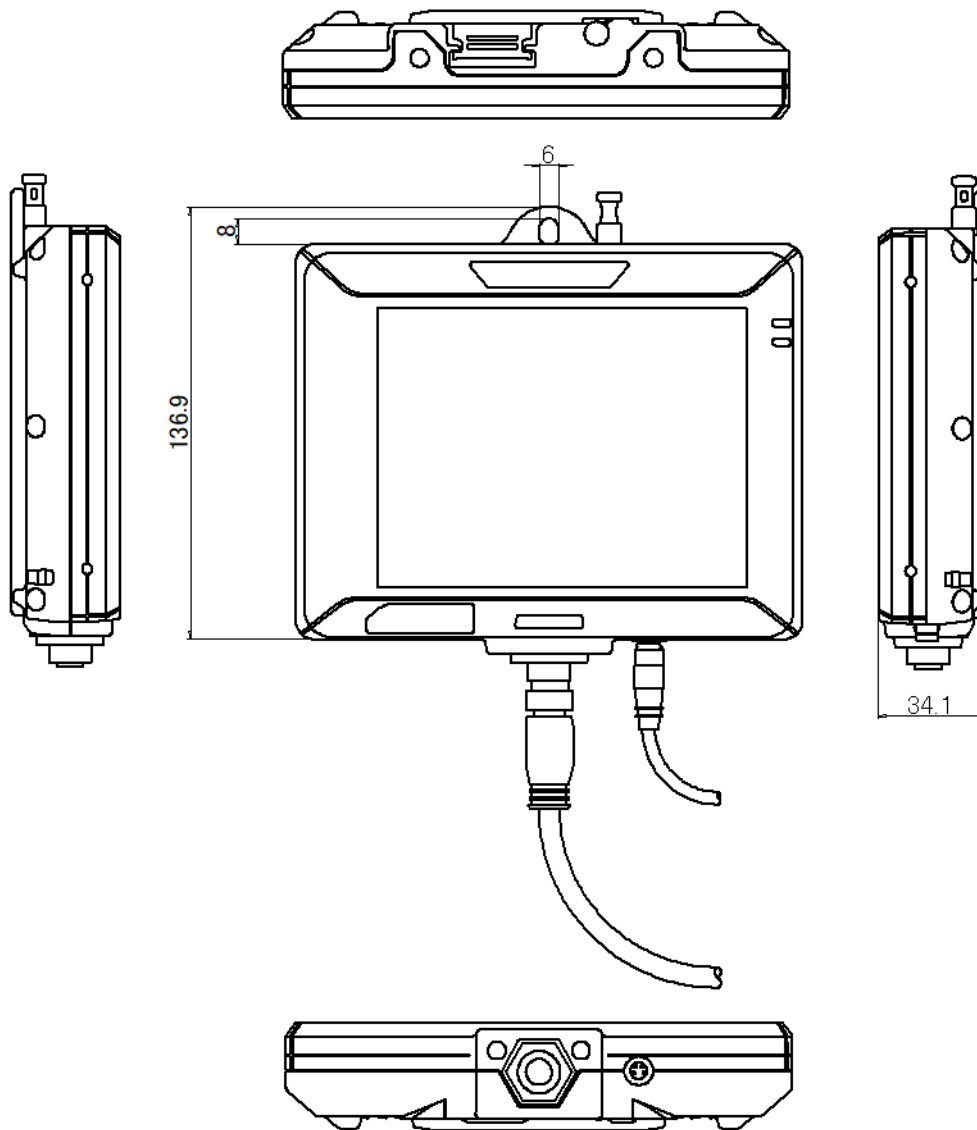


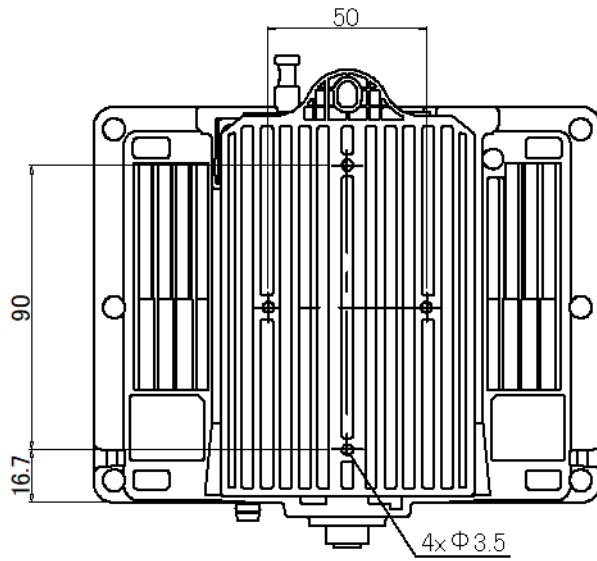
L Type Ethernet/Monitor Cable

Using OP-88651/88652/88653

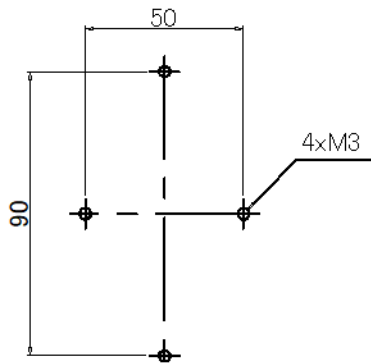


Using the wall mounting adapter

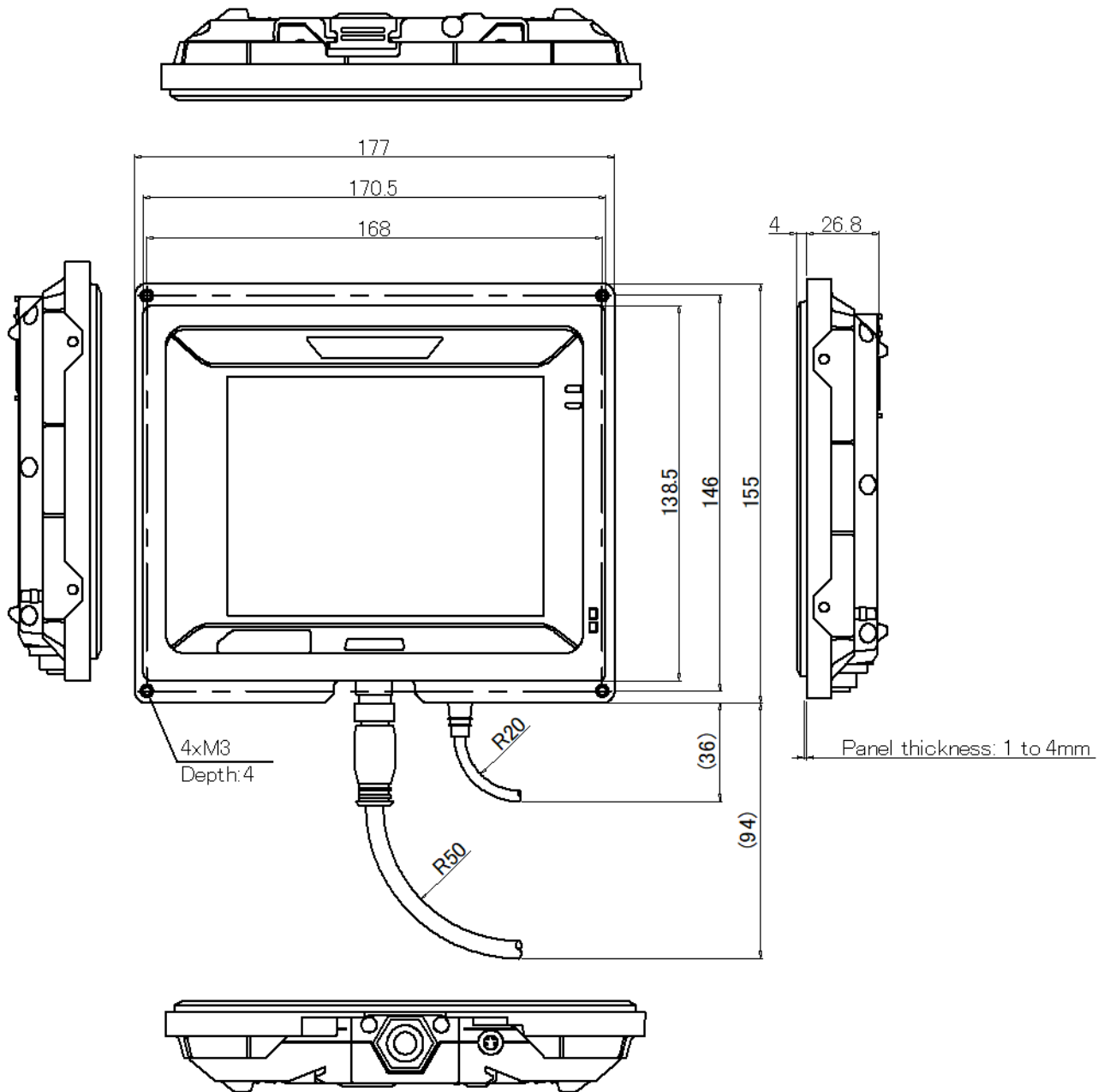


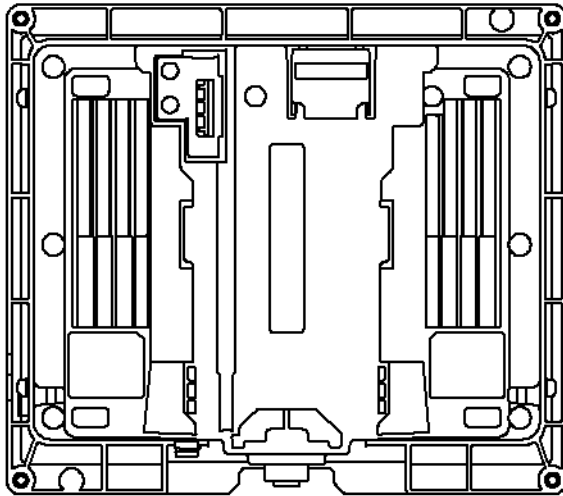


Mounting holes



Using the panel mounting adapter





Panel cutout

