



IL-1500

Amplifier unit, Panel mount type



*Please note that accessories depicted in the image are for illustrative purposes only and may not be included with the product.

Specifications

Model	IL-1500	
Type	Panel mount	
Main unit/Expansion unit	Main unit	
Head compatibility	Compatible	
Display	Minimum displayable unit	IL-030: 1 μ m, IL-065/IL-100: 2 μ m, IL-300: 10 μ m, IL-600: 50 μ m, IL-2000: 100 μ m
	Display range	IL-030/IL-065/IL-100: \pm 99.999 mm to \pm 99 mm (4 levels selectable), IL-300/IL-600: \pm 999.99 mm to \pm 999 mm (3 levels selectable), IL-2000: \pm 9999.9 mm to \pm 9999 mm (2 levels selectable)
	Display rate	Approx. 10 times/sec.
Analog voltage output	\pm 5 V, 1 to 5 V, 0 to 5 V Output impedance 100 Ω *1	
Analog current output	4 to 20 mA Maximum load resistance of 350 Ω *1	
Control input	Bank switch input	Non-voltage input*2
	Zero-shift input	
	Stop emission input	
	Timing input	
	Reset input	
Control output	Judgement output	Open collector output (NPN, PNP changeover possible/N.O., N.C. changeover possible)*3
	Alarm output	Open collector output (NPN, PNP changeover possible/N.C.)*3
Current	Power voltage	10 to 30 VDC ripple (P-P) 10% included, Class 2*4
	Power consumption	2500 mW or less (at 30 V: 84 mA or less)
Environmental resistance	Pollution degree	2
	Ambient temperature	-10 to +50 $^{\circ}$ C 14 to 122 $^{\circ}$ F (No condensation or freezing)
	Relative humidity	35 to 85 % RH (No condensation)
	Vibration resistance	10 to 55 Hz, Double amplitude 1.5 mm 0.06", 2 hours in each of the X, Y, and Z directions
Material	Case / Front sheet: Polycarbonate; Key tops: Polyacetal; Cable: PVC	
Weight	Approx. 170 g (including attachments)	

*1 Select and use one of \pm 5 V, 1 to 5 V, 0 to 5 V or 4 to 20 mA.

*2 Assign an input of your choice to the 4 external input lines before using.

*3 The NPN open collector rated output is: 50 mA max./ch (20 mA when adding an expansion unit) less than 30 V, residual voltage less than 1 V (less than 1.5 V when adding over 6 units including the main unit)

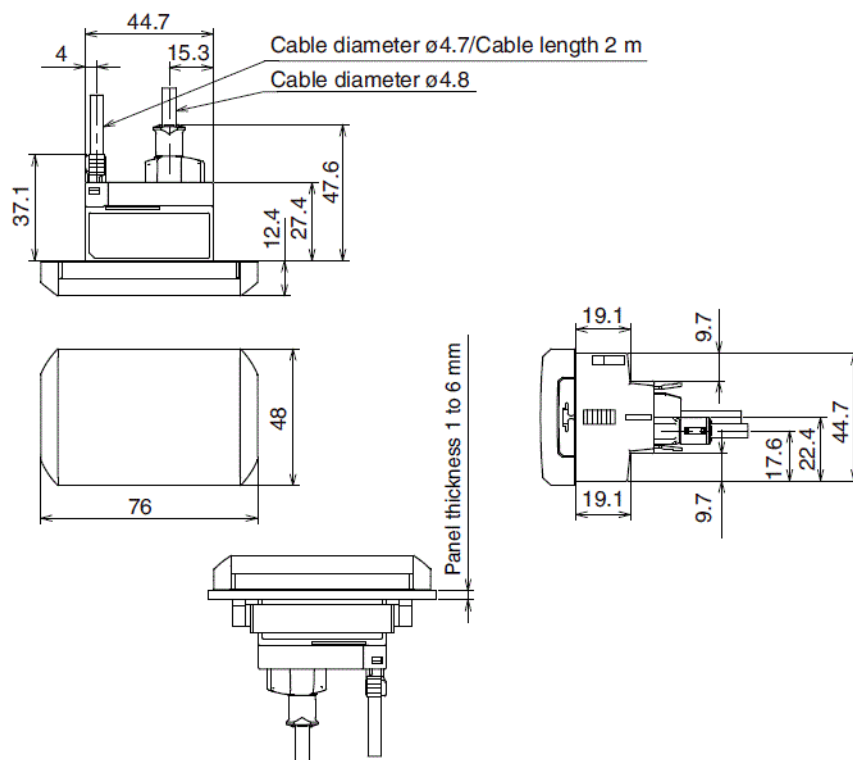
The PNP open collector rated output is: 50 mA max./ch (20 mA/ch when adding expansion units), less than power voltage, and less than 2 V residual voltage (less than 2.5 V when adding over 6 units including the main unit)

*4 If there are over 6 additional expansion units, please use a power voltage of 20 to 30 V.

Dimensions

* Download CAD file or product manual for larger image/text and more detail.

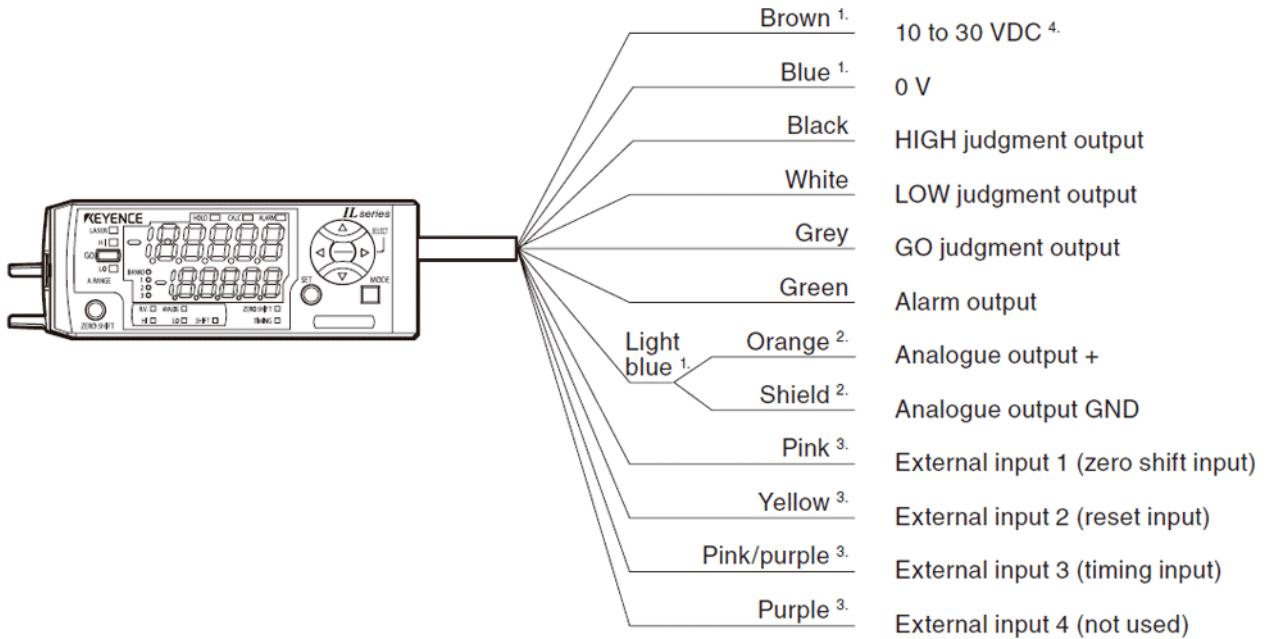
● IL-1500/IL-1550



I/O Circuit Connection diagram

* Download CAD file or product manual for larger image/text and more detail.

Wiring Diagram



1. The brown, blue, and light blue cables are not provided in a IL-1050/IL-1550 unit (expansion unit).

The power is supplied to the expansion unit from the IL-1000/IL-1500 unit (main unit).

2. For an analogue output, OFF (not used), 0 to 5 V, ±5 V,

1 to 5 V, or 4 to 20 mA can be selected.

3. For an external input, bank A input, bank B input, laser emission stop input, or OFF (not used) can also be selected.

For details, refer to the User's Manual.

4. If there are over 6 additional expansion units, please use a power voltage of 20 to 30 V.